

VitrA



V-care



Introduction	3
The V-care difference	4
Technology at your fingertips	5
V-care options	6
Features	7
Redefining hygiene and comfort	8
Rim-Ex™	9
Blue Life	10
Operation modes	11
Frequently asked questions:	
Usage	12
Care and maintenance	13
Safety	14
Technical and installation	15
Settings	16

Guarantees:
Sanitaryware 10 years
Toilet seat 2 years





V-CARE, THE NEW SMARTER WC COMBINING THE FUNCTIONALITY OF A TOILET AND THE CLEANING PROPERTIES OF A BIDET

Stylish design to look like a standard WC and to complement all types of bathroom styles

The remote control and automatic sensors deliver a total hands-free experience

Simple to use via remote control or buttons on the WC

Multiple washing options

Adjustable seat temperatures

Adjustable drying options

Automatic open and close seat

Ergonomically designed seat for maximum comfort

Air purification for a fresher bathroom

Rim-Ex™ WC pan for increased hygiene and easier cleaning

Available in two options; Essential and Comfort

THE V-CARE DIFFERENCE



WHY SWITCH TO V-CARE?

The difference is the experience.

A completely hands-free, comfort focused experience combined with the advantages of the easy clean and hygienic rimless Rim-Ex™ design, plus the space saving benefits from a wall-hung WC.

MORE HYGIENIC

V-care can be a completely touch-free WC; the seat can be opened and closed by using the remote control. The Comfort option will also open automatically as you approach the WC.

You control the cleaning and drying functions via the remote control whilst comfortably seated on the WC.

The V-care integrated spray nozzle provides different washing options for gender specific needs. Washing with water is more suitable for intimate areas and is more natural, hygienic and environmentally friendly.

MORE COMFORTABLE

Ergonomically designed seat with adjustable seat temperature and water pressure. The Comfort option also has adjustable dryer temperature.

Convenient remote control so you can remain comfortably seated for all features.

Although you can access some of the basic functions from the side of the WC, the remote control enables you to make all the adjustments you need to ensure you have the most hygienic and comfortable experience.

The stylish remote control uses three AAA batteries and with average use they should last approximately six months depending on the batteries.



Essential



Comfort

COMFORT

The Comfort option has additional functions and adjustments to suit your personal preferences and ensure you feel totally pampered, it even senses your approach and opens the seat for you.

All washing features can be personalised to provide the most comfortable temperature and water pressure for you. The pulsation and oscillating options have an invigorating effect; providing gentle yet thorough personal cleaning.

You can choose the temperature of the warm air dryer so you can remain completely relaxed and in control. When you have finished and left the area a sensor will automatically close the toilet seat completing your V-care Comfort experience.

ESSENTIAL

With an extensive range of V-care features, in the same stylish design as the Comfort option, you can enjoy a completely hands-free experience using the intuitive remote control.

Adjust the ergonomic seat temperature to make yourself comfortable and alter the jet's position and water temperature to get a personalised wash that will leave you feeling clean and refreshed, the air purifier will also remove any unpleasant odours. All of these features can be operated from the remote control so there is no need to have to twist or turn during use, you can simply enjoy a new level of comfort, convenience and personal hygiene.



FEATURE	FUNCTIONS	ESSENTIAL OPTION	COMFORT OPTION
Cleaning	Rear cleaning nozzle	✓	✓
	Front jet position	✓	✓
	Adjustable jet position	✓	✓
	Adjustable water pressure	✓	✓
	Oscillating jet		✓
	Pulsation		✓
	Adjustable dryer temperature		✓
	Adjustable water temperature	✓	✓
Hygiene	Air purifier - deodorisation	✓	✓
	Rim-Ex™	✓	✓
	Self cleaning nozzle	✓	✓
	Removable nozzle	✓	✓
Seat	Auto open/close		✓
	Soft close seat	✓	✓
	Heated seat	✓	✓
	Adjustable seat temperature	✓	✓
Design	Contemporary styling	✓	✓
	Hidden plumbing connections	✓	✓
	Hidden electricity connections	✓	✓
	Complements any VitrA suite	✓	✓
	Hands-free stylish remote control	✓	✓
Sustainability	Energy saving mode	✓	✓

REDEFINING HYGIENE AND COMFORT

V-care has several features that can be adjusted to offer not only effective hands-free personal cleaning but maximum comfort for every type of user.

A specially designed nozzle spray enables you to adjust the water as desired.

- The nozzle can be positioned to suit each user
- There are front and back area washing options
- The front area washing option is less powerful for this sensitive area
- There are oscillating and pulsing options for a more thorough clean (comfort option only)
- The intensity of the water can be adjusted for your comfort
- The water temperature can be adjusted to suit you personally (to max 40°C)
- The nozzle is automatically rinsed with fresh water before and after every use and the tip can easily be removed for manual cleaning if required (but is not necessary).

The V-care nozzle is made of stainless steel; the first choice for hospitals, kitchens, food and pharmaceutical utensils. Stainless steel is aesthetically pleasing and has a high resistance to corrosion. It is also very durable, easy to clean and maintain.

DRYING AND AIR PURIFICATION

With the Comfort option you may choose to use the drying function. The drying temperature can also be adjusted to suit your needs. Both options have automatically activated air purification feature.

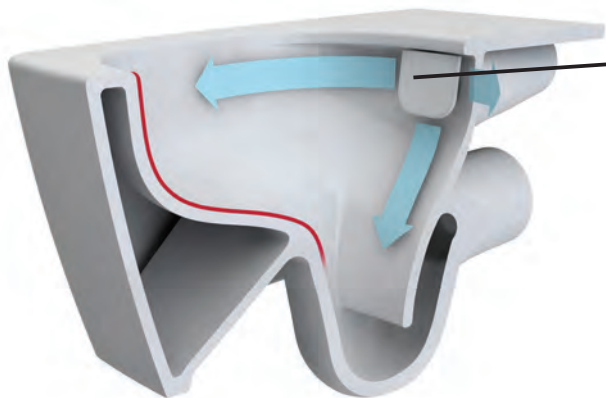


**RIMLESS DESIGN
INTRODUCING RIM-EX™ BY VITRA**

Designed to make cleaning the WC pan more practical and efficient, the Rim-Ex WC can be cleaned much more easily with one single wipe.

The special inner bowl limits the surfaces where dirt and germs may accumulate.

Rim-Ex is 95% more hygienic thanks to its innovative design.



CERAMIC WATER DISPENSER
Ensures correct water dispersal around the pan and is used with a 3/6 litre concealed cistern.

Safe and easy cleaning through the easily removable ceramic part. It safeguards the water outlet from the accumulation of dirt and germs.



Blue Life

For our blue planet...

- Blue Life is Vitra's sustainability principle.
- The water used for all washing options is 3/6 litre and is designed to give maximum hygiene at minimal water levels.
- V-care significantly reduces or eliminates the need for toilet paper, offsetting the electricity used to power the V-care's features. By offering increased personal hygiene and comfort, V-care epitomises Blue Life's commitment to improved living conditions.
- There are four different operation modes ensuring you can save energy when the V-care WC is not in use or when you are happy to have all heating options at minimal levels.



Production Certificates
 ISO 9001 Quality Certification
 ISO 14001 Environmental Certificate
 ISO 50001 Energy Management System Certificate
 OHSAS 18001 Occupational Health and Safety
 Management System Certificate



THERE ARE FOUR DIFFERENT OPERATION MODES:

STANDARD MODE

Indicated by a red light on the left hand side of the WC. All functions and temperature adjustments are available.

ENERGY SAVING MODE

Indicated by a green light on the left hand side of the WC and activated by pressing the stop button on the remote control for three seconds. All functions are available but the heating functions remain at the minimum level.

STAND-BY MODE

When no light is shown on the left hand side of the WC and is activated by pressing the stop button on the left side of the WC for three seconds. This disables all functions except the water temperature controller that keeps the temperature for personal cleaning above 18°C.

ON/OFF

The red on/off button on the right hand side of the V-care WC pan is a concealed and isolated on/off button. This will isolate all the additional features but will still enable the toilet to be used as a conventional WC.

CAN I STILL USE THE V-CARE WC IF THERE IS NO POWER?

During a power cut you can still use the V-care WC like a conventional WC using toilet paper, activating the flush via the flush plate and manually opening and closing the seat.



WHAT HAPPENS IF THE ELECTRICITY GOES OUT DURING USE?

If the electricity supply fails during use, water streaming, heating, air purification and the auto open/close will stop immediately.

If the nozzle is in use it will remain in the same position but the water will stop. Once the electricity is restored you will need to press the stop button to reset the nozzle.

CAN I OPEN AND CLOSE THE SEAT MANUALLY?

Yes, you can either open or close the seat manually or via the remote control. The comfort model also offers an automatic open and close seat feature.

DO I HAVE TO USE THE REMOTE CONTROL?

You can access basic functions from the side of the WC such as front and rear cleaning but the remote control enables you to fully utilise all the features of V-care for optimum comfort.

HOW LONG DOES EACH FUNCTION LAST PER USE?

The rear and front cleansing function lasts for approximately 40 secs. The drying function (only available on the comfort model) lasts for approximately 3 minutes. Depending on user preference, all functions can be stopped at any time by pressing the stop button on the remote control (or on the left hand side of the WC) or by simply leaving the seat.

WHAT TYPE OF BATTERY DOES THE REMOTE CONTROL REQUIRE?

Three AAA batteries. With average use, new batteries should last approximately six months.

IS V-CARE SUITABLE FOR EVERYONE ?

The V-care WC is suitable for both sexes and is especially beneficial for pregnant women, those less able or people who suffer from intimate skin irritations. We recommend children under the age of 12 only use the V-care WC as a conventional WC.



IS THE V-CARE WC DIFFICULT TO CLEAN?

V-care is easier to clean than a conventional WC as it has a rimless pan (Rim-Ex). V-care is also wall-hung making it easy to clean underneath.

WHAT SHOULD I USE TO CLEAN V-CARE?

We recommend using conventional scratch free, non-corrosive cleaning detergents to clean the WC and soft cleaning wipes or a cloth to clean the seat.

CAN I REMOVE THE NOZZLE?

The tip of the nozzle can be removed and cleaned if desired but the nozzle is automatically cleaned before and after every use.

WHEN SHOULD I CHANGE THE AIR PURIFYING FILTER?

The filter is designed to be detachable so you can replace it and prevent dust accumulating. We recommend you change the filter every two years.

WHAT HAPPENS IF IT MALFUNCTIONS DURING USE?

If a problem occurs during use press the stop button on the side panel. If the problem still persists press the main on/off button.

IS THE WC SEAT REMOVABLE?

You can remove the lid but the V-care seat is fixed onto the WC.

WHAT IF THE REMOTE CONTROL DOESN'T WORK OR I DROP IT INTO WATER?

Remove batteries, dry the remote control with a towel or similar. Place the remote control in a cup filled with dry rice (to absorb humidity), after two hours replace the batteries. If this does not solve the problem please contact the retailer where you bought the item and they can arrange for a replacement remote control to be provided.



HOW SAFE IS THE V-CARE IN REGARDS TO ELECTRICAL AND WATER USE?

V-care is very safe to use, there is no danger of electrical parts coming into contact with water as it is insulated to IPX4 standards. Electronic circuits are insulated to IP67 standards.

WHAT SAFETY STANDARDS DOES V-CARE CONFORM TO?

V-care conforms to the following global and European standards: BS EN1717, BS EN13079, CE, DVGW, KIWA, ETA, CSTB, SINTEF, SITAC, W270 and KTW.

WHAT IS V-CARE MADE OF?

WC: vitreous china

Seat, lid and base unit: thermal plastic

Nozzle: stainless steel

Remote control: ABS

HOW MUCH WEIGHT CAN THE V-CARE WC BEAR?

max 150kg (330lbs)

HOW MUCH WATER IS USED PER FLUSH?

V-care WC pan uses 3/6 litres of water per flush.

CAN I INSTALL V-CARE IN PLACE OF AN EXISTING WC?

You can replace your conventional WC with V-care but you will need additional electrical and water connections (details on p15). VitrA offer a range of wall hung WC frames specifically designed to make installation easy.

WILL V-CARE WORK IF NO ONE IS SITTING ON IT?

Except for the open/close mechanism no other functions of the V-care will work unless someone is sitting on the WC.

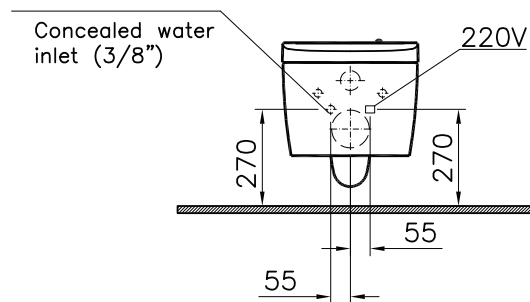
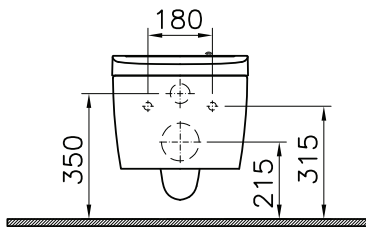
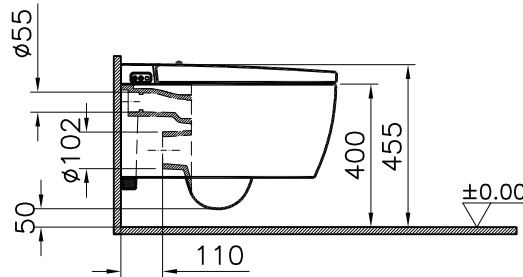
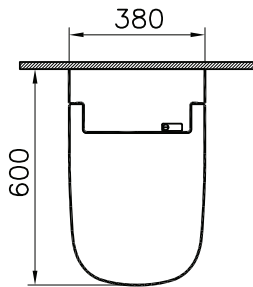
HOW DO YOU INSTALL A V-CARE WC?

To install a V-care WC you need additional water and electrical connections but the WC is designed so that these connections will not be visible.

Installation should take the same time as a conventional wall-hung WC but installation checks and testing will be required once it is installed.

HOW DO YOU TEST THE NOZZLE DURING INSTALLATION?

During installation you can activate nozzle by simultaneously pressing the rear and front washing buttons for three seconds either on the remote or with the buttons on the side of the WC.



The V-care is delivered with:

1. Ceramic WC
2. Electronic seat and cover
3. Remote control and wall bracket
4. 3x AAA batteries
5. Flexi hose 45cm
6. On/off valve
7. A 220v insulated electrical connector
8. Polystyrene height guide
9. Installation manual
10. User manual
11. Transparent installation cover

	SETTINGS						VARIANCE
	Off	1	2	3 (Default)	4	5	
SEAT TEMP.	Off	32°C	34°C	36°C	38°C	40°C	+/-2°C
WATER TEMP.	Off	32°C	34°C	36°C	38°C	40°C	+/-2°C
DRYER TEMP. (Comfort option only)	Off	15°C	20°C	25°C	30°C	35°C	+/-3°C
AVERAGE WATER CONSUMPTION (per 40 sec)		270ml	312ml	354ml	417ml	480ml	+/-80ml

MAX/MIN TEMPERATURES PER FUNCTION:

	MIN VALUE	MAX VALUE	DEFAULT VALUE	POWER SAVER MODE
WATER TEMP.	30°C	42°C	36°C	24°C
SEAT TEMP.	30°C	42°C	36°C	24°C
DRYER TEMP.	15°C	37°C	25°C	24°C



Vitra UK Limited
Park 34, Collett
Didcot
Oxon. OX11 7WB
Tel: 01235 750990
www.vitra.co.uk

www.vitra-vcare.co.uk



August 2015